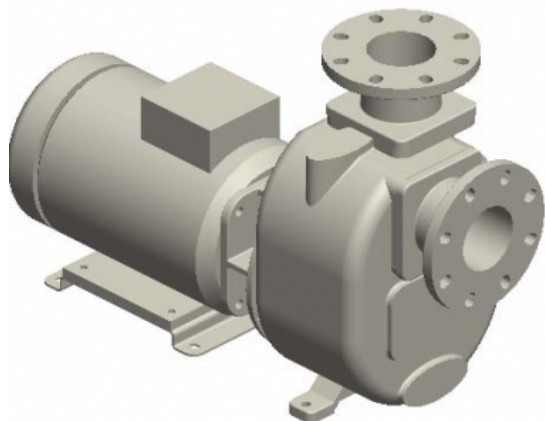




S100 G31T+F+PS



**Product codes:**

Reference: 13428.03

**Product short description:**

4" Self-priming centrifugal pump in cast iron with mechanical seal, grease-lubricated, non return valve and 11 kW electric motor close coupled  
**+F flange coupling according DIN. PN16**  
**+PS automatic lubricator for mechanical seal**

**Product features:**

Main Features
Pump series: S100
Pump Flow Rate: max 140 m <sup>3</sup> /h (2333 l/min)
Pump head with 50 Hz grid frequency: max 24 m
Max. Solids Handling: 35 mm
Self-priming: ★★☆☆☆
Heavy-duty: ★★★☆☆
Construction: Close Coupled
Pump
Type of Pump: Self-priming centrifugal pump
Suction port: DN100
Discharge port: DN100
Type of ports: DIN PN16 flange (compatible), ANSI 150lb flange
Type of self-priming: Wet-prime



<b>Filling port:</b> Yes
<b>Drain Port:</b> Yes
<b>Plug for Vacuometer:</b> Yes
<b>Plug for the Manometer:</b> Yes
<b>Material of casing:</b> Cast iron
<b>Material of impeller:</b> Cast iron
<b>Material of wear plate:</b> Steel
<b>Material of shaft:</b> Stainless steel AISI420
<b>Material of non-return valve:</b> NBR
<b>Shaft sealing:</b> YCV Mechanical Seal with Grease Lubrication in SiC/SiO <sub>2</sub> /FKM (Viton®) on Stainless Steel Sleeve
<b>Drive</b>
<b>Type of drive unit:</b> Three-Phase Electric Motor
<b>Drive Manufacturer:</b> Victor Pumps
<b>Efficiency class:</b> IE3
<b>Rated Power:</b> 11 kW
<b>Maximal Rotation:</b> 2900 rpm (50 Hz)
<b>Rated voltage:</b> 400 V ±10% @ 50 Hz, 690 V ±10% @ 50 Hz
<b>Protection:</b> 26 Amp (380-480 V), 16 Amp (660-725 V)
<b>Cooling method:</b> IC411- TEFC
<b>Protection degree:</b> IP55
<b>Insulation class:</b> F
<b>Performance data</b>
<b>Typical application:</b> waste water with solids in suspension, non-corrosive
<b>Product temperature:</b> max. 60 °C
<b>Ambient temperature:</b> max. 40 °C
<b>Density:</b> up to 1, 4 kg/dm <sup>3</sup> , for higher values you need an oversized motor
<b>Viscosity:</b> up to 30 mm <sup>2</sup> s (cSt), for higher values you need an oversized motor
<b>Max vacuum with water:</b> max 8 m (9, 5 m for 10 min)
<b>Max vacuum with air:</b> max 6 m
<b>Additional Features</b>
<b>Setup position:</b> Horizontal
<b>Paint:</b> RAL6011 Reseda green
<b>External Dimensions (L x W x H):</b> 841 x 327 x 520 mm
<b>Net Weight:</b> 134 kg

**Product gallery:**

