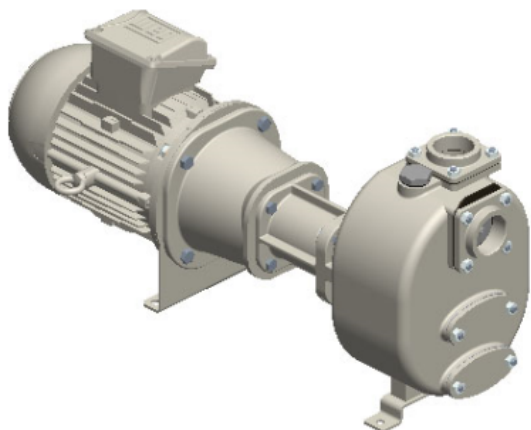




S 60+50 G31BBT+PS

Product codes:

Reference: 4349.41



Product short description:

2" Self-priming centrifugal pump in cast iron with mechanical seal, grease-lubricated, non return valve and 4 kW electric motor Bi-Block (B5 standard motor flange-mounted on the pump bearing bracket)
+PS automatic lubricator for mechanical seal

Product features:

Main Features
Pump series: S 60+50
Pump Flow Rate: max 40 m ³ /h (655 l/min)
Pump head with 50 Hz grid frequency: max 36 m
Max. Solids Handling: 24 mm
Self-priming: ★★★★★
Heavy-duty: ★★★★★
Construction: Bi-Block
Pump
Type of Pump: Self-priming centrifugal pump
Suction port: 2"
Discharge port: 2"
Type of ports: Female Thread BSP
Type of self-priming: Wet-prime
Inspection cover for the impeller: Yes
Filling port: Yes



Drain Port: Yes
Plug for Vacuometer: Option
Plug for the Manometer: Option
Material of casing: Cast iron
Material of impeller: Cast iron
Material of wear plate: Steel
Material of shaft: Stainless steel AISI316
Material of non-return valve: NBR
Shaft sealing: YCV Mechanical Seal with Grease Lubrication in SiC/SiO ₂ /FKM (Viton®) on Stainless Steel Sleeve
Drive
Type of drive unit: Three-Phase Electric Motor
Drive Manufacturer: WEG
Efficiency class: IE3
Rated Power: 4 kW
Maximal Rotation: 2900 rpm (50 Hz)
Rated voltage: 400 V ±10% @ 50 Hz, 230 V ±10% @ 50 Hz
Protection: 12 Amp (380-480 V), 18 Amp (220-277 V)
Mounting: B5
Frame: IEC 112M
Cooling method: IC411- TEFC
Protection degree: IP55
Insulation class: F
Performance data
Typical application: waste water with solids in suspension, non-corrosive
Product temperature: max. 90 °C
Ambient temperature: max. 40 °C
Density: up to 1, 1 kg/dm ³ , for higher values you need an oversized motor
Viscosity: up to 1 mm ² s (cSt), for higher values you need an oversized motor
Max vacuum with water: max 8 m (9, 5 m for 10 min)
Max vacuum with air: max 8, 5 m
Additional Features
Setup position: Horizontal
Coupling: elastic coupling integrated in the bearing-house
Paint: RAL6011 Reseda green
External Dimensions (L x W x H): see dimensions
Net Weight: see dimensions



Product gallery:

