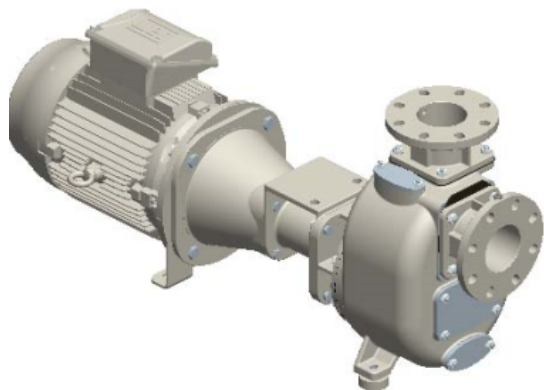




S100 G31BBT+F+PS



Product codes:

Reference: 1471.43

Product short description:

4" Self-priming centrifugal pump in cast iron with mechanical seal, grease-lubricated, non return valve and 11 kW electric motor Bi-Block (B5 standard motor flange-mounted on the pump bearing bracket)
+F flange coupling according DIN. PN16
+PS automatic lubricator for mechanical seal

Product features:

Main Features
Pump series: S100
Pump Flow Rate: max 140 m ³ /h (2333 l/min)
Pump head with 50 Hz grid frequency: max 24 m
Max. Solids Handling: 35 mm
Self-priming: ★★☆☆☆
Heavy-duty: ★★★★★
Construction: Bi-Block
Pump
Type of Pump: Self-priming centrifugal pump
Suction port: DN100
Discharge port: DN100
Type of ports: DIN PN16 flange (compatible), ANSI 150lb flange
Type of self-priming: Wet-prime



Filling port: Yes

Drain Port: Yes

Plug for Vacuometer: Yes

Plug for the Manometer: Yes

Material of casing: Cast iron

Material of impeller: Cast iron

Material of wear plate: Steel

Material of shaft: Stainless steel AISI420

Material of non-return valve: NBR

Shaft sealing: YCV Mechanical Seal with Grease Lubrication in SiC/SiO₂/FKM (Viton®) on Stainless Steel Sleeve

Drive

Type of drive unit: Three-Phase Electric Motor

Drive Manufacturer: WEG

Efficiency class: IE3

Rated Power: 11 kW

Maximal Rotation: 2900 rpm (50 Hz)

Rated voltage: 400 V \pm 10% @ 50 Hz, 690 V \pm 10% @ 50 Hz

Protection: 26 Amp (380-480 V), 16 Amp (660-725 V)

Mounting: B5

Frame: IEC 160M

Cooling method: IC411- TEFC

Protection degree: IP55

Insulation class: F

Performance data

Typical application: waste water with solids in suspension, non-corrosive

Product temperature: max. 90 °C

Ambient temperature: max. 40 °C

Density: up to 1, 4 kg/dm³, for higher values you need an oversized motor

Viscosity: up to 30 mm²s (cSt), for higher values you need an oversized motor

Max vacuum with water: max 8 m (9, 5 m for 10 min)

Max vacuum with air: max 6 m

Additional Features

Setup position: Horizontal

Paint: RAL6011 Reseda green

External Dimensions (L x W x H): see dimensions

Net Weight: see dimensions



Product gallery:

