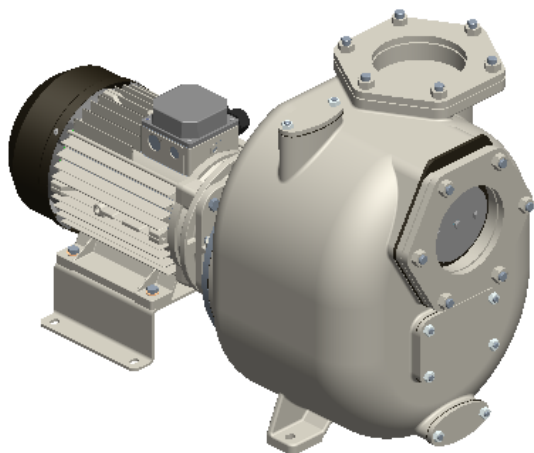




S161+30 G33T114+PS



Product codes:

Reference: 13561.01

Product short description:

6" Self-priming centrifugal pump in cast iron with mechanical seal, grease-lubricated, non return valve and 11 kW electric motor close coupled
+PS automatic lubricator for mechanical seal

Product features:

| Main Features |
|--|
| Pump series: S161+30 |
| Pump Flow Rate: max 300 m ³ /h (5000 l/min) |
| Pump head with 50 Hz grid frequency: max 20 m |
| Max. Solids Handling: 47 mm |
| Self-priming: ★★★★★☆ |
| Heavy-duty: ★★★★★☆ |
| Construction: Close Coupled |
| Pump |
| Type of Pump: Self-priming centrifugal pump |
| Suction port: 6" |
| Discharge port: 6" |
| Type of ports: Counter flanges to weld |
| Type of self-priming: Wet-prime |
| Inspection cover for the impeller: Yes |
| Filling port: Yes |



| |
|--|
| Drain Port: Yes |
| Plug for Vacuometer: Yes |
| Plug for the Manometer: Option |
| Material of casing: Cast iron |
| Material of impeller: Ductile Cast-iron |
| Material of wear plate: Steel |
| Material of shaft: Stainless steel AISI420 |
| Material of non-return valve: NBR (Nitrile) |
| Shaft sealing: YYV+N Mechanical Seal with Grease Lubrication in SiC/SiC/FKM(Viton®)+Nitrile on Stainless Steel Sleeve AISI316 |
| Drive |
| Type of drive unit: Three-Phase Electric Motor |
| Drive Manufacturer: Victor Pumps |
| Efficiency class: IE1, S6-75% |
| Rated Power: 11 kW |
| Maximal Rotation: 1450 rpm (50 Hz) |
| Rated voltage: 400 V $\pm 10\%$ @ 50 Hz, 690 V $\pm 10\%$ @ 50 Hz |
| Protection: 26 Amp (380-480 V), 16 Amp (660-725 V) |
| Cooling method: IC411- TEFC |
| Protection degree: IP55 |
| Insulation class: F |
| Performance data |
| Typical application: waste water with solids in suspension, non-corrosive |
| Product temperature: max. 60 °C |
| Ambient temperature: max. 40 °C |
| Density: up to 1, 1 kg/dm ³ , for higher values you need an oversized motor |
| Viscosity: up to 30 mm ² s (cSt), for higher values you need an oversized motor |
| Max vacuum with water: max 8 m (9, 5 m for 10 min) |
| Max vacuum with air: max 7, 5 m |
| Additional Features |
| Setup position: Horizontal |
| Coupling: One shaft solution without any coupling |
| Paint: RAL6011 Reseda green |
| External Dimensions (L x W x H): see dimensions |
| Net Weight: see dimensions |

Product gallery:

