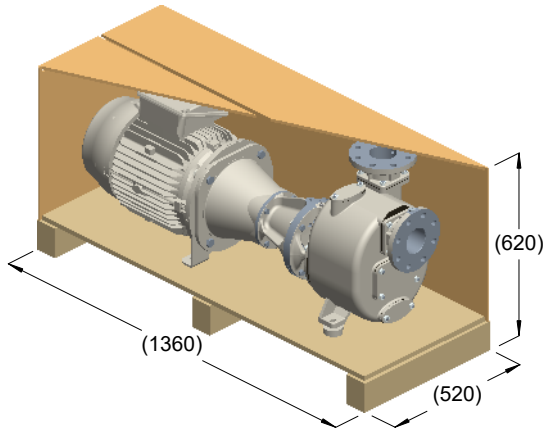
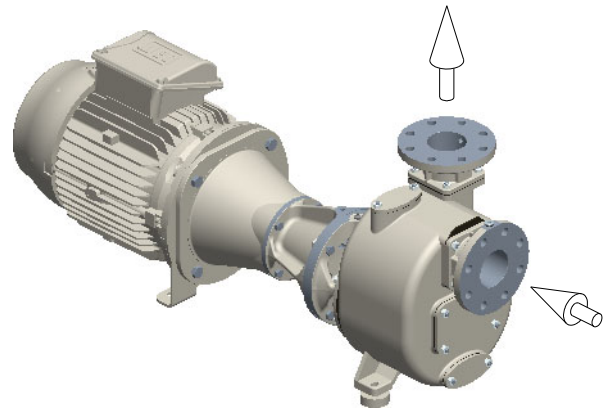




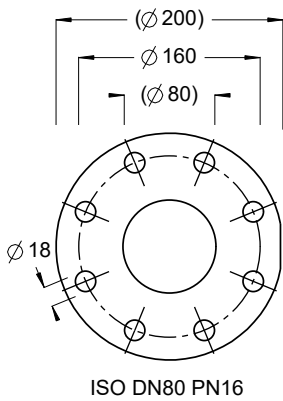
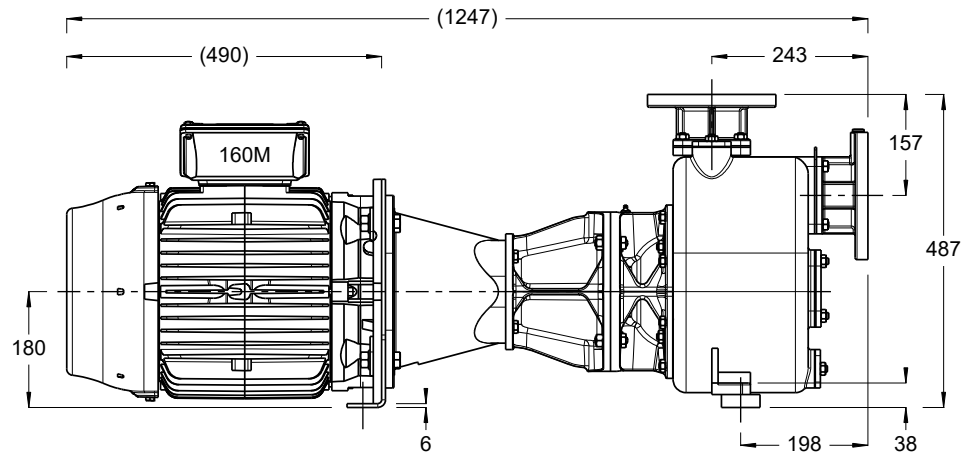
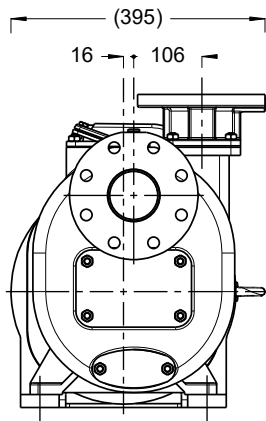
S 88 G31BBT+F



kg = 273
m³ = 0.44



kg = 260



ISO DN80 PN16

