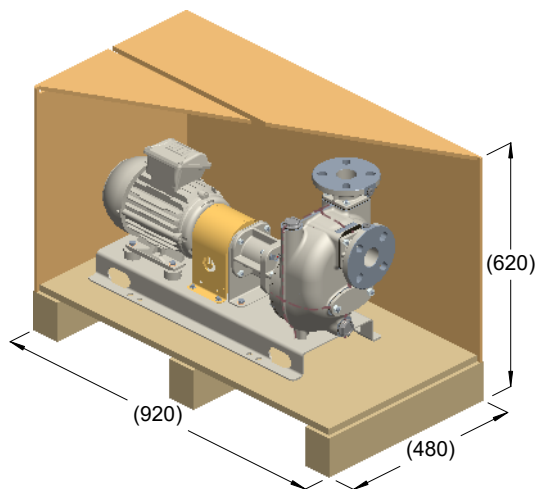
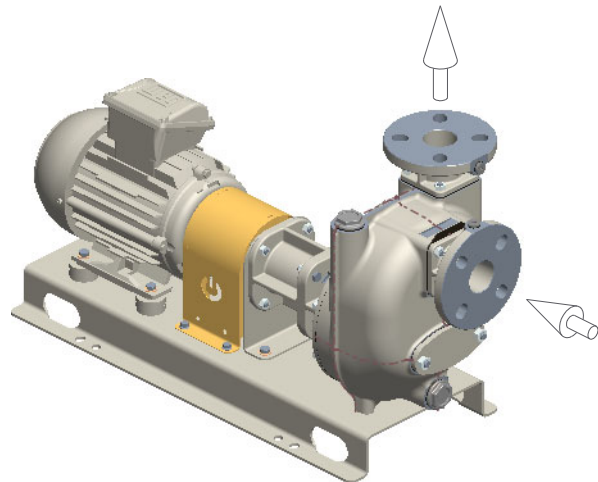




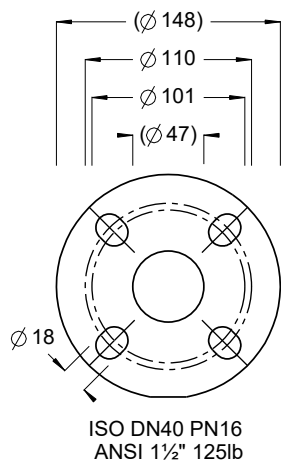
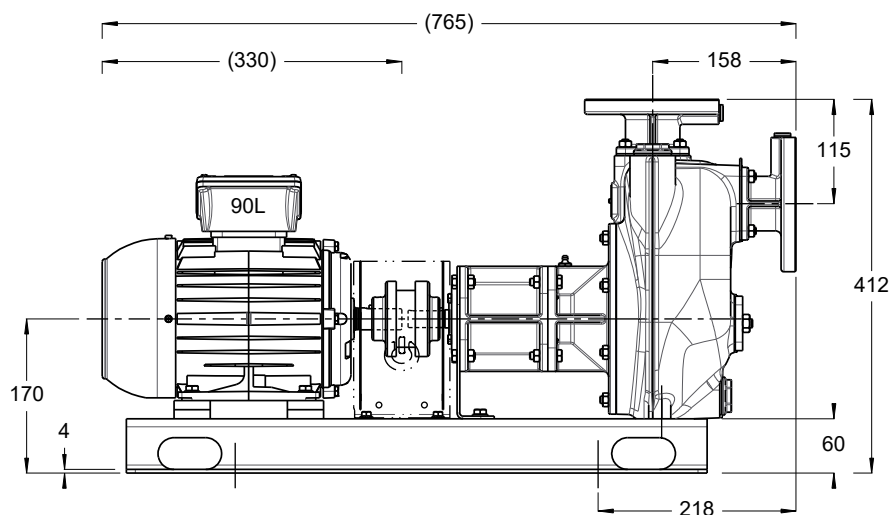
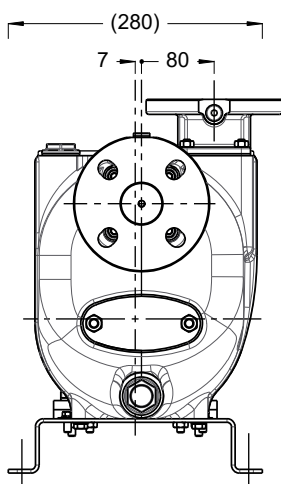
S 45 G..B+F/T



kg = 72
m³ = 0.27



kg = 64



ISO DN40 PN16
ANSI 1½" 125lb

