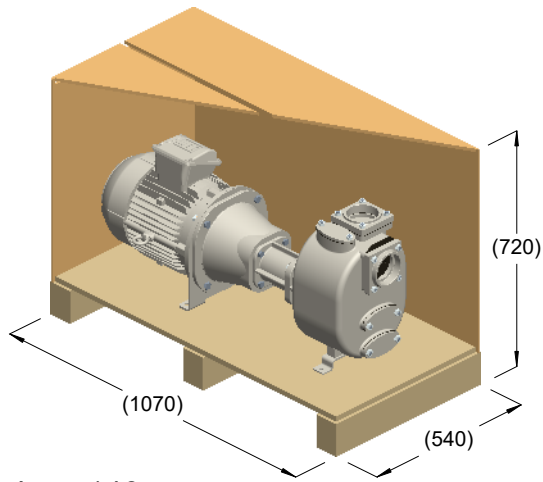
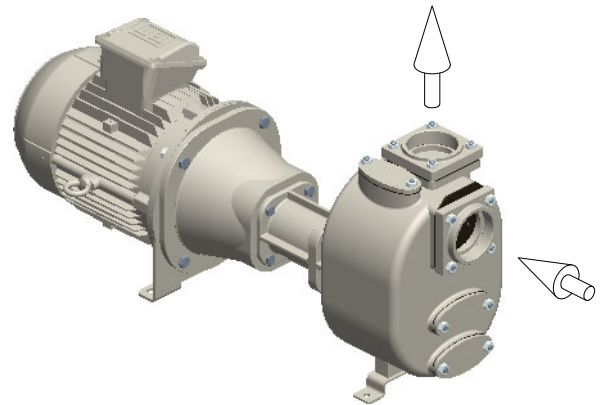




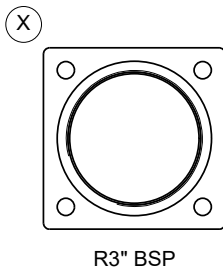
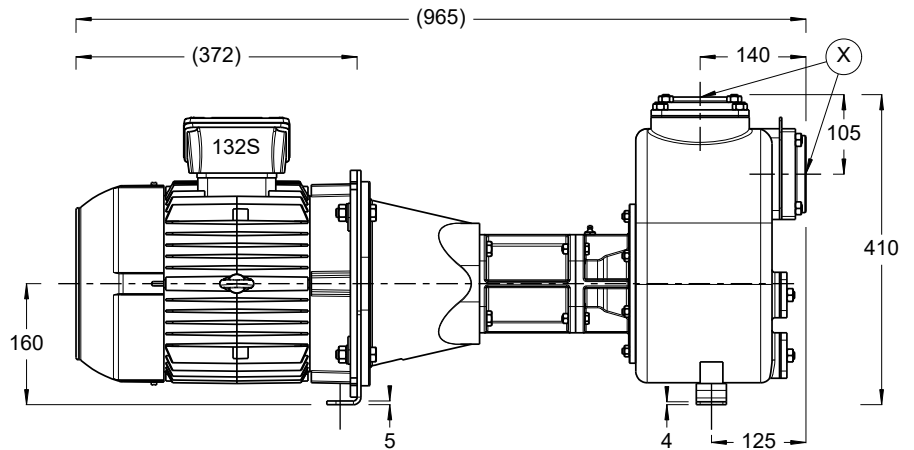
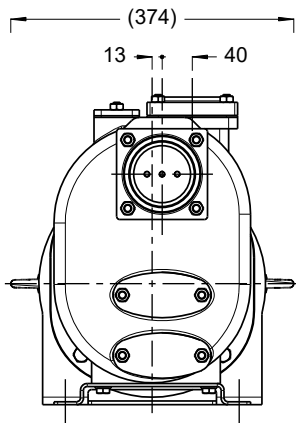
S 80 ...BBT52



kg = 146
m³ = 0.42



kg = 132



R3" BSP

