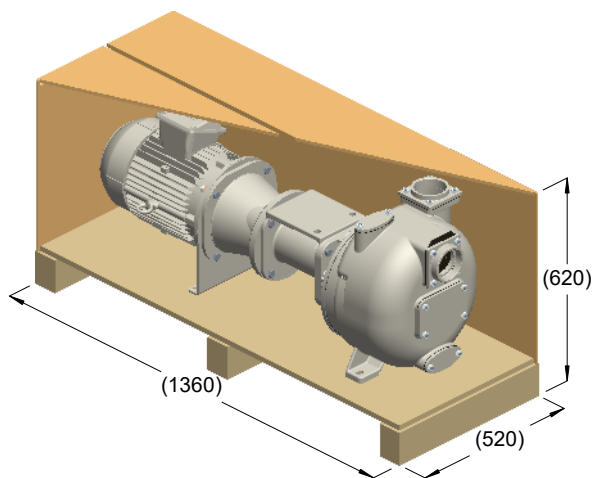
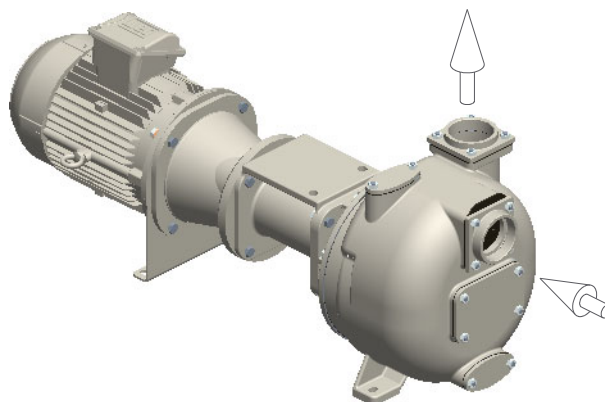




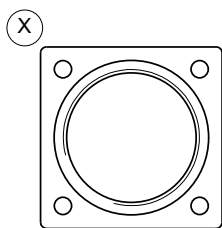
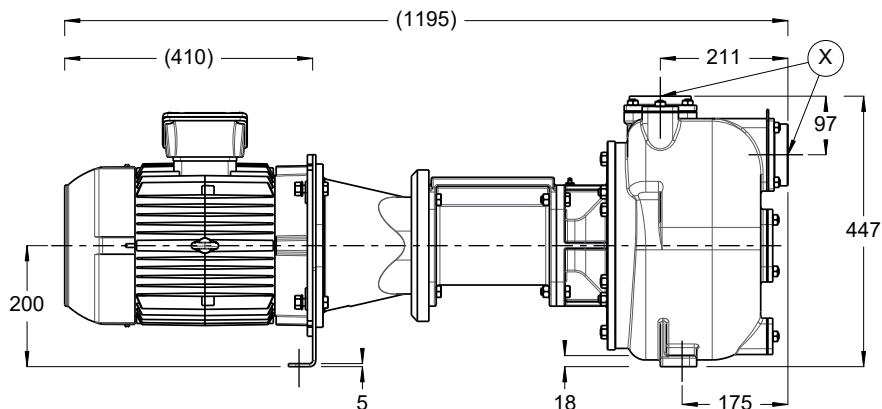
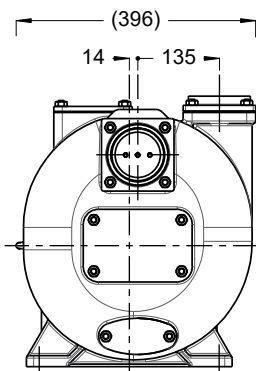
S 91 ...BBT



kg = 216
m³ = 0.44



kg = 203



R3" BSP

