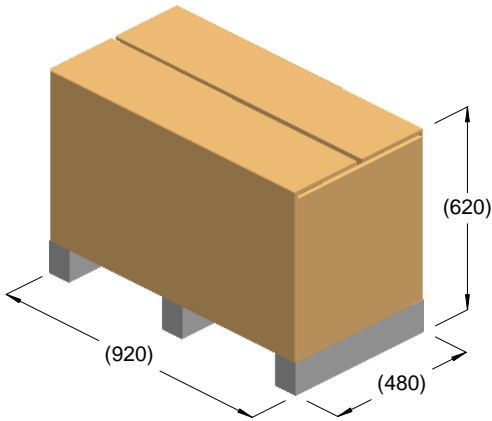
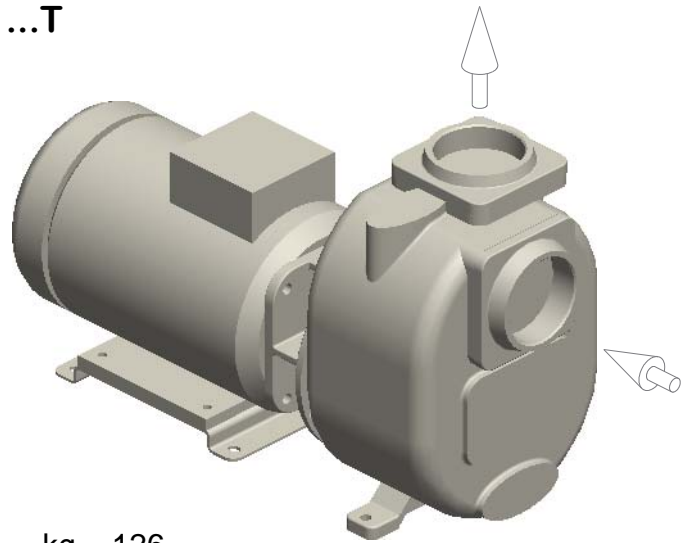


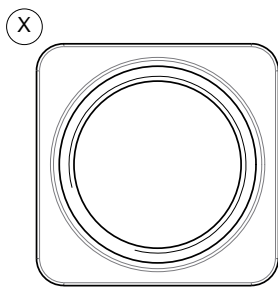
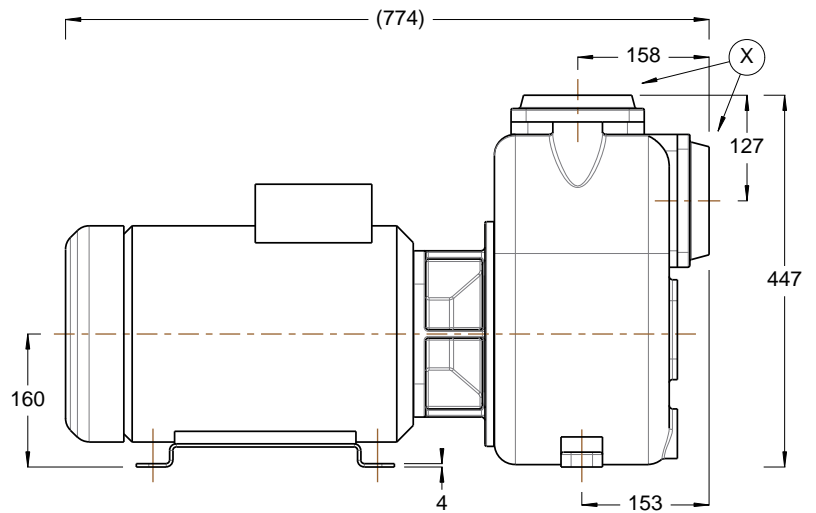
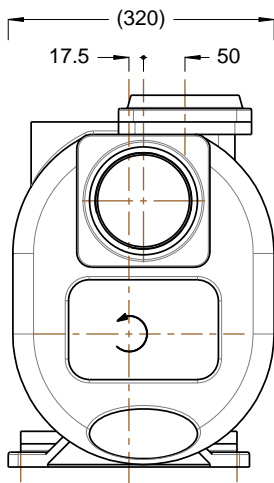
**S100 ...T**



kg = 135  
m<sup>3</sup> = 0.27



kg = 126



R4" BSP

