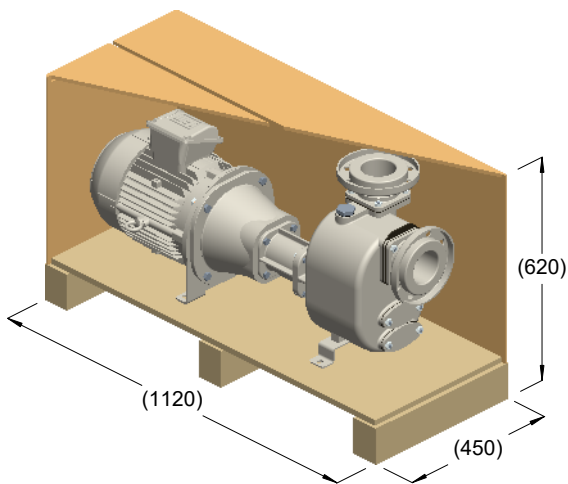
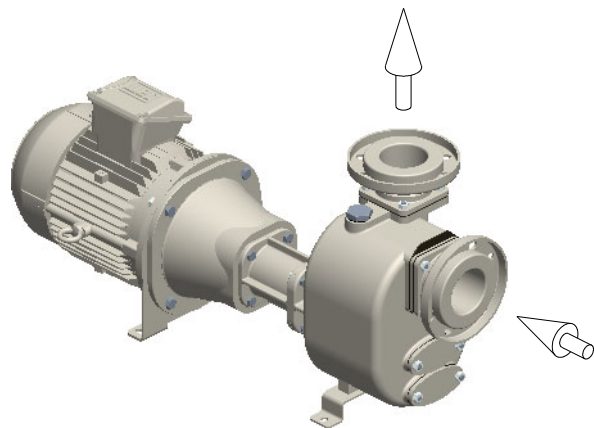




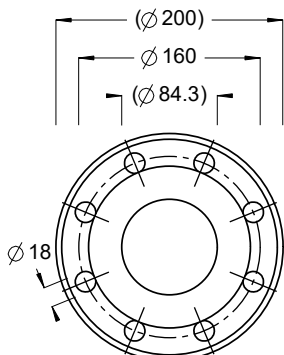
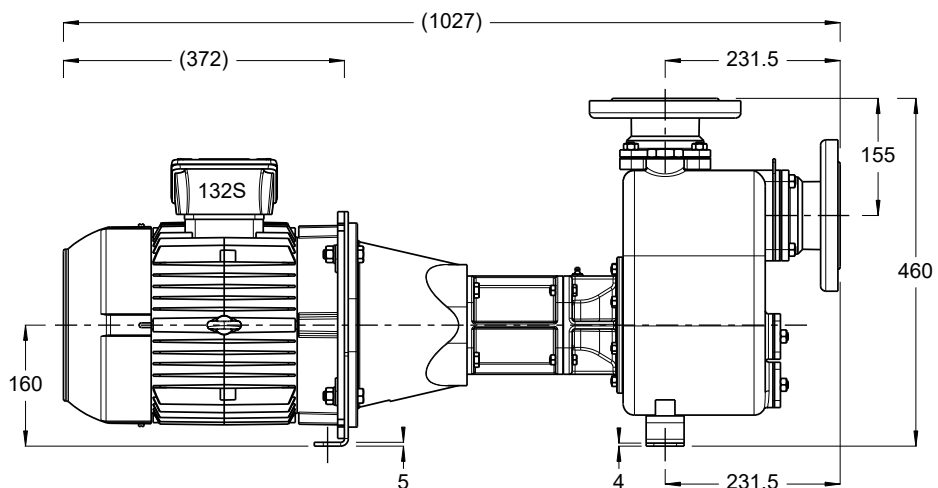
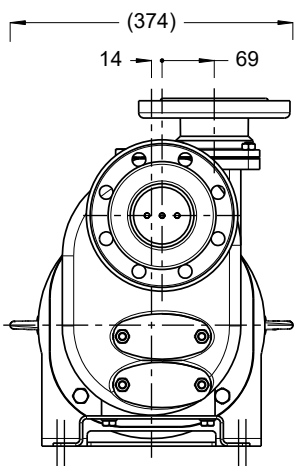
S 82+50 K..BBT52+F



kg = 150
m³ = 0.31



kg = 140



ISO DN80 PN16

